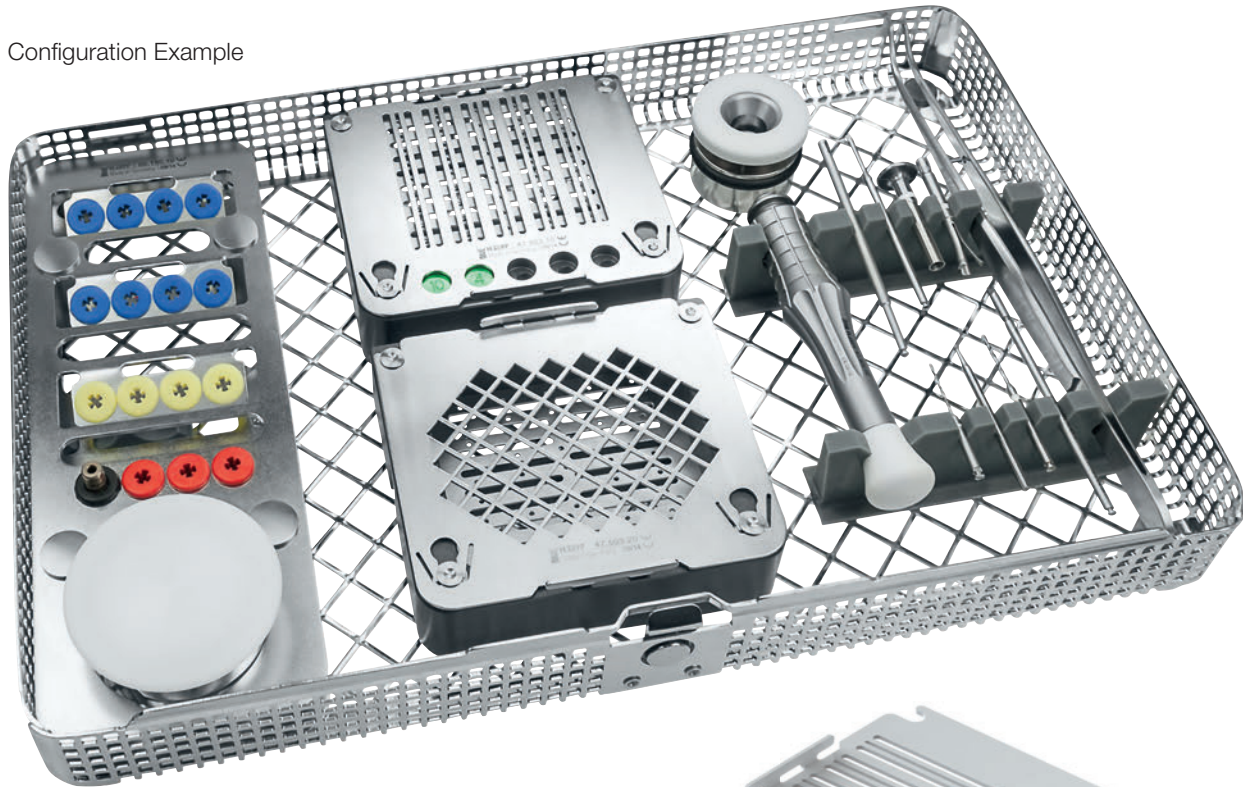


### Configuration Example



## ZEPF CMF SYSTEM in a Washbasket

Following the Zepf-Care Series, the modularly composable components for the **ZEPF** CMF SYSTEM were developed, offering a washbasket with appropriate combination options.

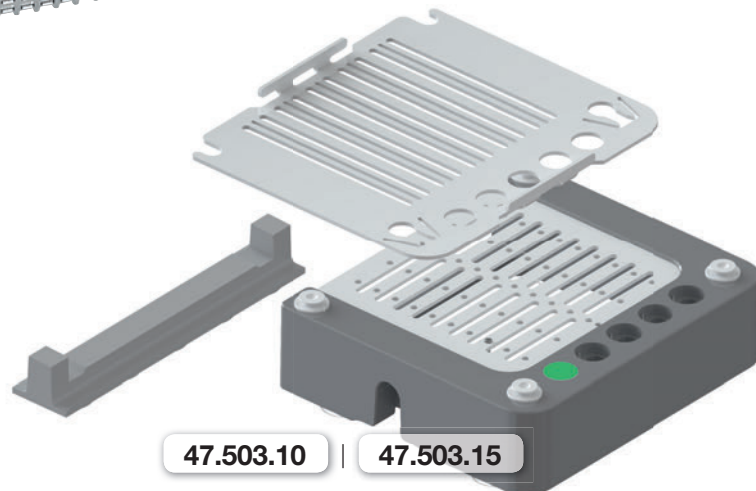
The actual tools can be organized depending on the desired diameter, as illustrated in the CMF brochure.

This guarantees an RKI compliant reprocessing of the CMF SYSTEM.



**85.251.04**

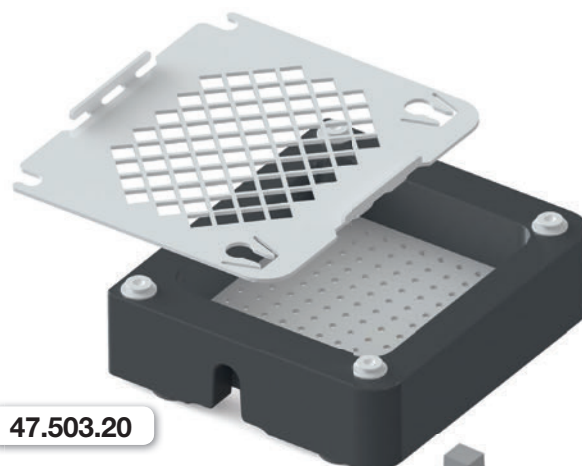
Mixing Cup with lid,  
stainless steel, Ø 4 cm



**47.503.10**

**47.503.15**

Box for Screws  
1.0 mm | 1.5 mm



**47.503.20**

Rack for receiving e.g.  
titanium plates



Illustration	Article Description	Order Quantity
	<b>ZEPF</b> CMF & Bone Augmentation Set in a washbasket 1/1 with lid, press button and silicone profiles, consisting of:	1 set
	<b>85.195.00</b> Washbasket 1/1 as rack for the remaining components	1 piece
	<b>85.190.10</b> Universal Instrument Rack for receiving an augmentation material cup and drills	1 piece
	<b>85.251.04</b> Mixing Cup with lid, stainless steel, Ø 4 cm	1 piece
	<b>85.255.02</b> Storage Box for 10 titanium pins	1 piece
	<b>85.255.03</b> Centering bolt for storage box	1 piece
	<b>47.503.10</b> Box for Screws 1.0 mm	1 piece
	<b>47.503.15</b> Box for Screws 1.5 mm	1 piece
	<b>47.503.20</b> Storage box for receiving e.g. titanium plates	1 piece
	<b>85.181.14</b> Profile 1	1 piece ea.
	<b>85.181.15</b> Profile 2	

